

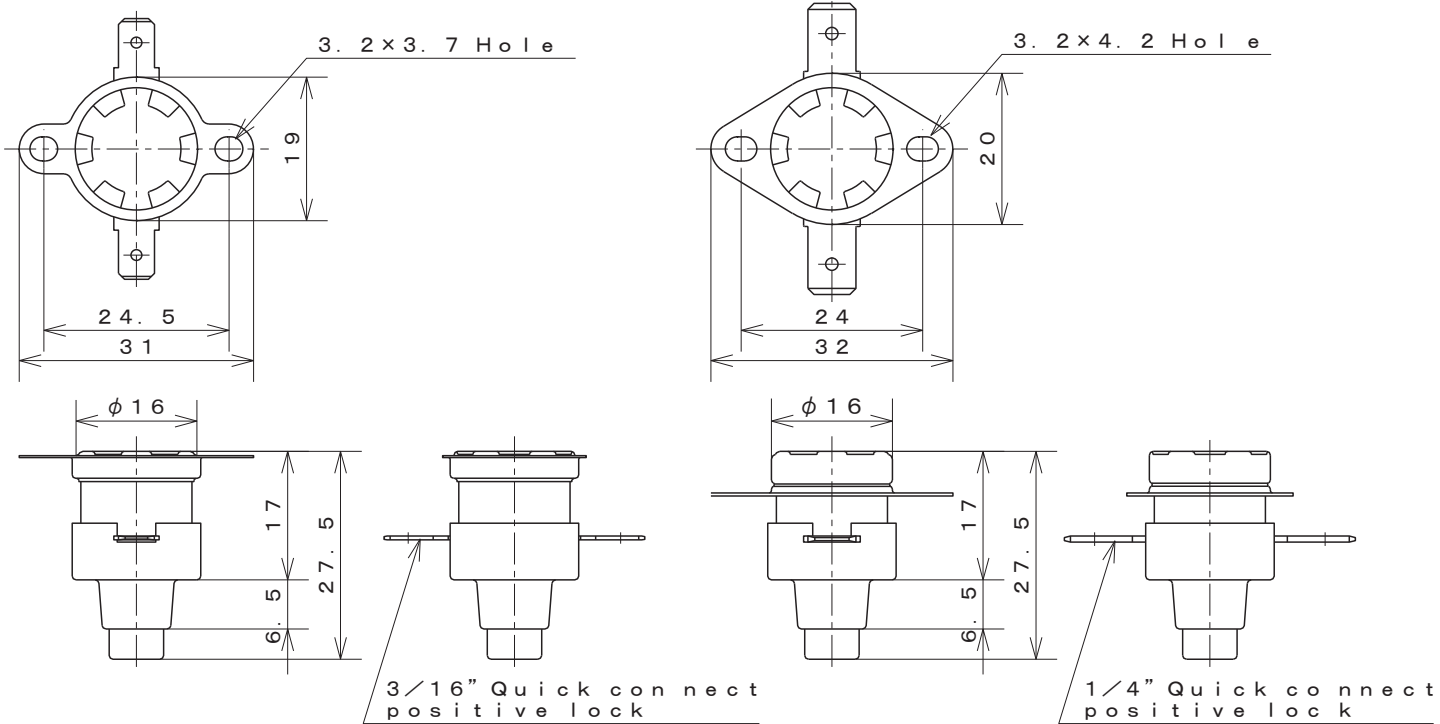


1/2" Disc Type Thermostat
Manual Reset

Type **23EN**

UL-CSA-VDE
Recognized

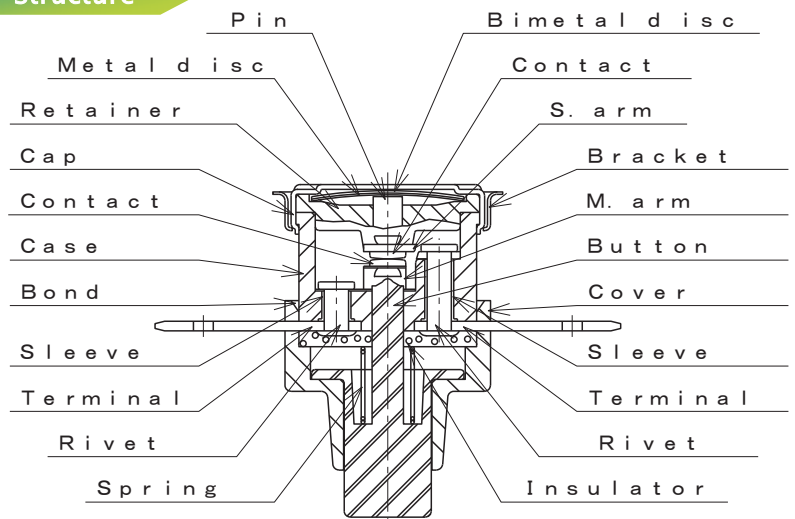
Dimensions



Materials of parts

Part	Material
Cap	Aluminum Copper Stainless steel
Case	Phenolic resin
M.arm	Beryllium Copper alloy
Terminals	Brass
Bracket	Stainless steel
Contacts	Silver-Nickel alloy
Button	Phenolic resin

Structure



Specification

Item	Specification
1. Basic features	SPST Manual reset
2. Operation	A : Contacts open on temperature rise Not automatic reset
3. Electrical rating	UL, C-UR : AC120V/15A AC240V/10A 6,000 cycles VDE : AC250V/16A 3,000 cycles
4. Calibration method	Hot & cold air circulation system
5. Temperature rating	Operating temperature Max. 150°C
6. Insulation resistance	Not less than 1,000MΩ/DC500V
7. Dielectric strength	Not less than AC1,500V/1min. or AC1,800V/1sec.

Standard

UL 873, C-UR UL File No. E43273
DIN EN 60730-1, -2-9 VDE Licence No. 40012267

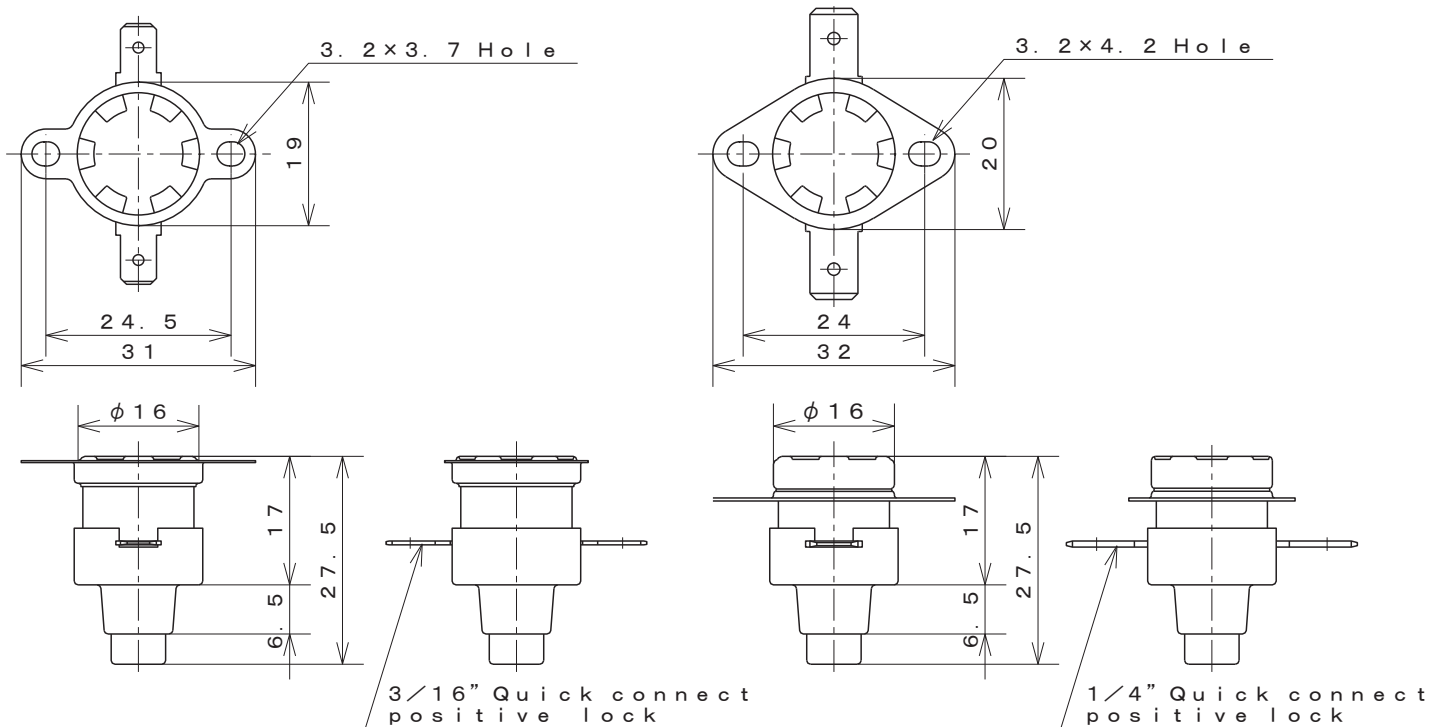


1/2" Disc Type Thermostat
Manual Reset

Type **23EP**

VDE
Recognized

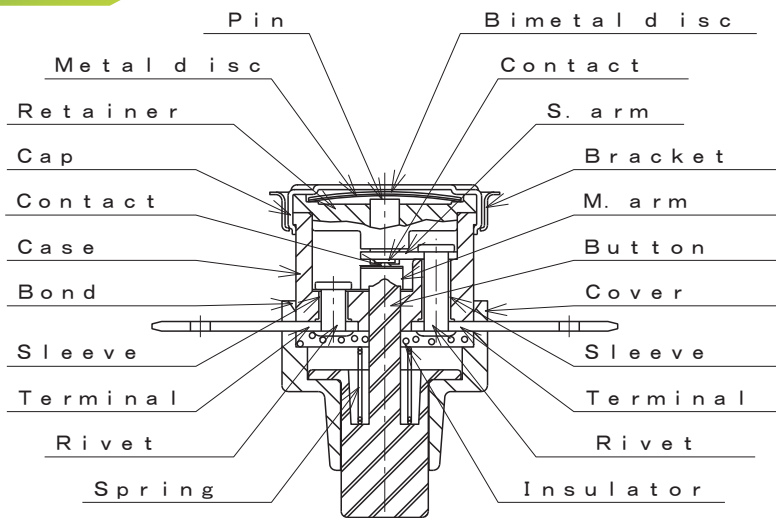
Dimensions



Materials of parts

Part	Material
Cap	Aluminum Copper Stainless steel
Case	Phenolic resin
M.arm	Beryllium Copper alloy
Terminals	Brass
Bracket	Stainless steel
Contacts	PGS-Crossbar
Button	Phenolic resin

Structure



Specification

Item	Specification
1. Basic features	SPST Manual reset
2. Operation	A : Contacts open on temperature rise Not automatic reset
3. Electrical rating	AC250V/0.2A DC42V/0.2A
4. Calibration method	Hot & cold air circulation system
5. Temperature rating	Operating temperature Max. 150°C
6. Insulation resistance	Not less than 1,000M Ω /DC500V
7. Dielectric strength	Not less than AC1,500V/1min. or AC1,800V/1sec.

Standard

DIN EN 60730-1, -2-9 VDE Licence No. 40012267